

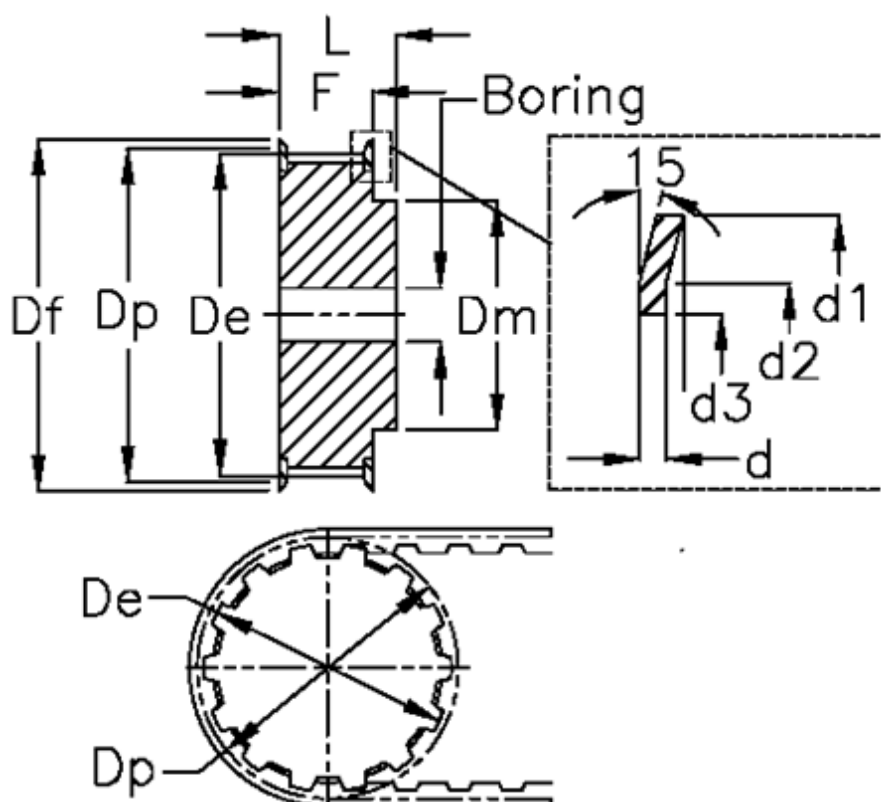
Data Sheet



Article number: 604142036015

Description: Timing belt pulley with hub
HTD 36 5M 15

Measures



Bore = 8	Dp = 57.3
d = 1	F = 20.5
d1 = 64	Flange type = F24
d2 = 57	L = 28
d3 = 47	Tooth number = 36
De = 56.16	Type = 5M
Df = 60	Weight = 0.426
Dm = 38	Width = 15